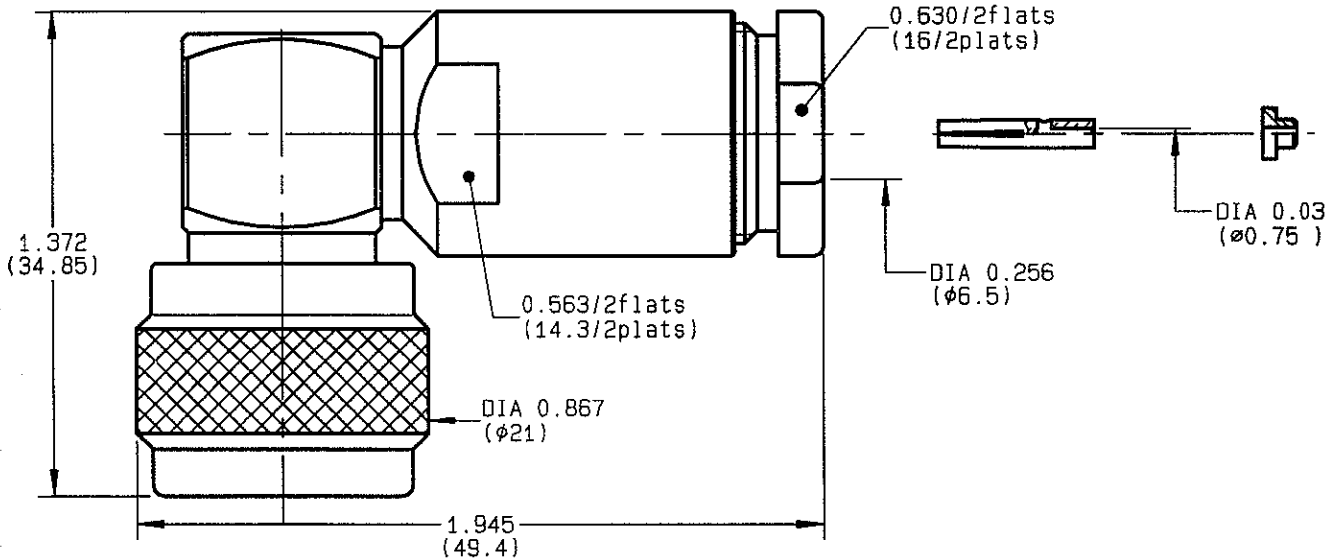


**RIGHT ANGLE PLUG CLAMP TYPE  
CABLE 6/75+93**

**R162.162.000**  
**SERIES N 75**



NOMINAL IMPEDANCE	<b>75</b> $\Omega$	CABLES : <b>KX 6A</b>
FREQUENCY RANGE	<b>0-1.5</b> GHz	<b>RG 59</b>
TEMPERATURE RATING	<b>-55/+155</b> °C	<b>RG 62</b>
V.S.W.R	<b>1.2 + 0</b> x F(GHz)Maxi	
RF INSERTION LOSS	<b>0.15</b> $\sqrt{F}$ (GHz) dB Maxi	
VOLTAGE RATING	<b>850</b> Veff Maxi	
DIELECTRIC WITHSTANDING VOLTAGE	<b>1500</b> Veff Mini	
INSULATION RESISTANCE	<b>5000</b> M $\Omega$ Mini	OTHERS CHARACTERISTICS
HERMETIC SEAL	<b>NA</b> Atm.cm <sup>3</sup> /s	CABLE RETENTION <b>150</b> N Mini
LEAKAGE (pressurized only)	<b>NA</b>	CENTER CONTACT RETENTION
MECHANICAL DURABILITY	<b>500</b> Cycles	Axial force - mating end <b>27</b> N Mini
WEIGHT	<b>77.9</b> gr	Axial force - opposite end <b>27</b> N Mini
SPECIFICATION		Torque <b>NA</b> cm.N Mini
		RECOMMENDED TORQUES
		Mating <b>130</b> cm.N
		Panel nut <b>NA</b> cm.N
		Clamp nut <b>500</b> cm.N

CONNECTOR PARTS	MATERIALS	FINISH	(all values are given in micrometers)
BODY	BRASS	BBR 2	
OUTER CONTACT	BRASS	BBR 2	
CENTER CONTACT	BRASS	GOLD 0.5 OVER NICKEL 2	
INSULATOR	PTFE	-	
GASKET	SILICONE RUBBER	-	
OTHERS PIECES	BRASS	BBR 2	

ISSUE	CREATION DATE	FILE PART-NUMBER
<b>9813C01</b>	<b>11-APR-94</b>	<b>EPC 96-07</b>



GAUTIE

The information given here is subject to change without notice. Design changes may be in order to improve the product.

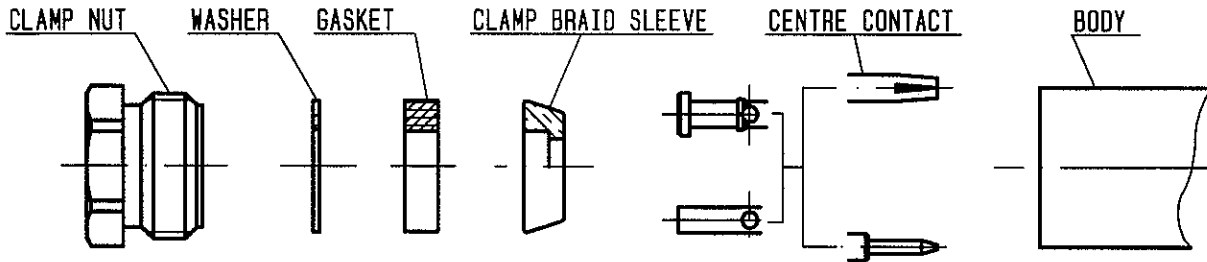
Connect to the future



**RADIALL®**

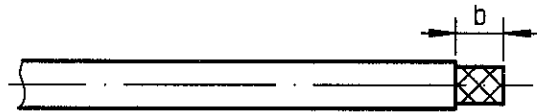
**R162.162.000**

ISSUE 9813C01 SERIES N 75



①

Strip the cable .



Stripping	a	b	c	d	e
inch	0.157	0.335	0	0	0.039
mm	4	8.5			1

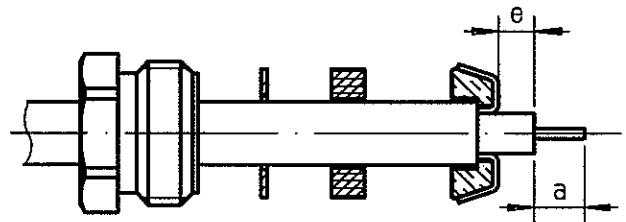
②

Slide the clamp nut , the washer and the gasket onto the cable .

Slide clamp braid sleeve over braid .  
Fold back braid and trim off surplus braid .

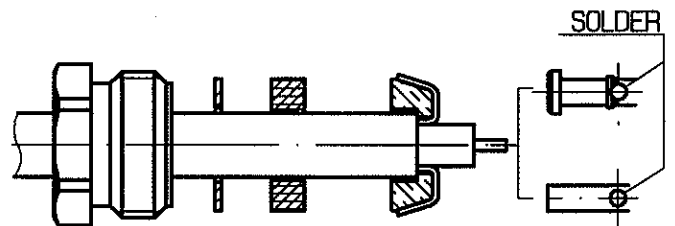
Trim back dielectric as shown .

NOTA:For air-space PE cables , "e" = 0  
Introduce insulator onto dielectric cable .



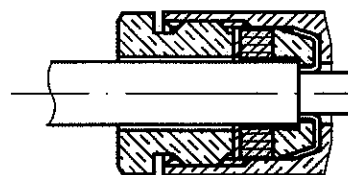
③

Solder the cable inner conductor into centre contact .



④

Screw sub-assembly into the connector body .  
( recommended coupling torque 44.25 in.lb )



Hex. : 0.63/flats

GAUTIER